

# Universal Mobile Operating Tables

2020 Catalog



[www.sebagmbh.de](http://www.sebagmbh.de)

**SEBA**

Handels GmbH

# Universal Mobile Operating Tables

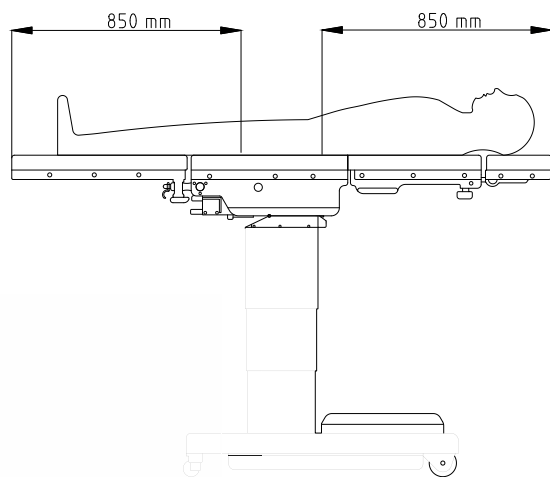
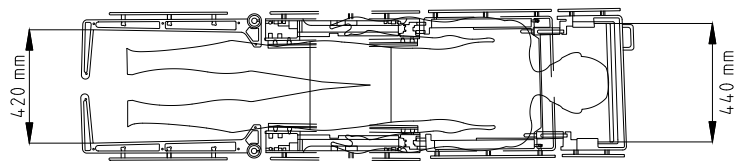
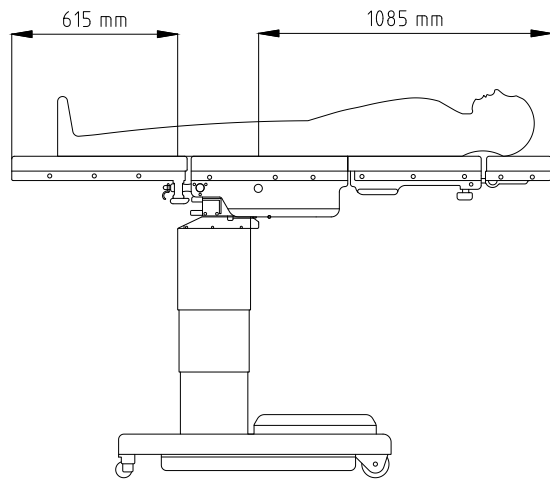
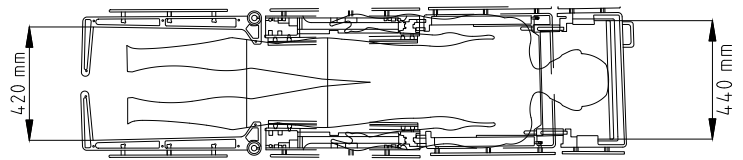




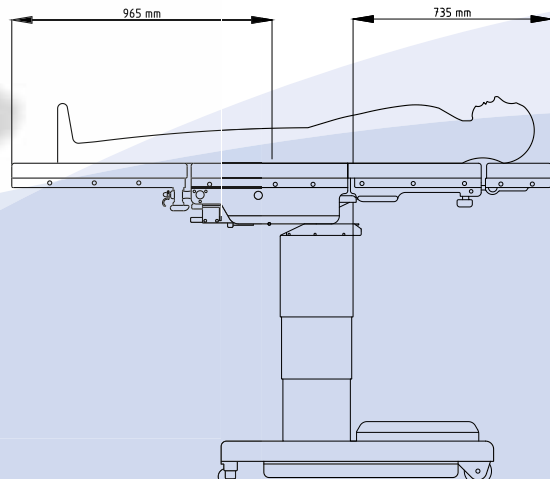
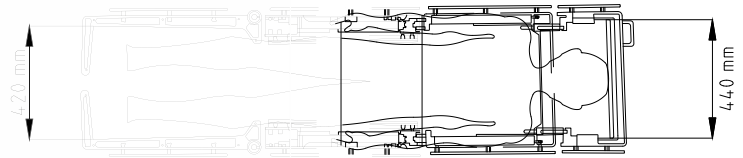
# Imaging For Every Part Of The Anatomy



Sliding toward Head-End



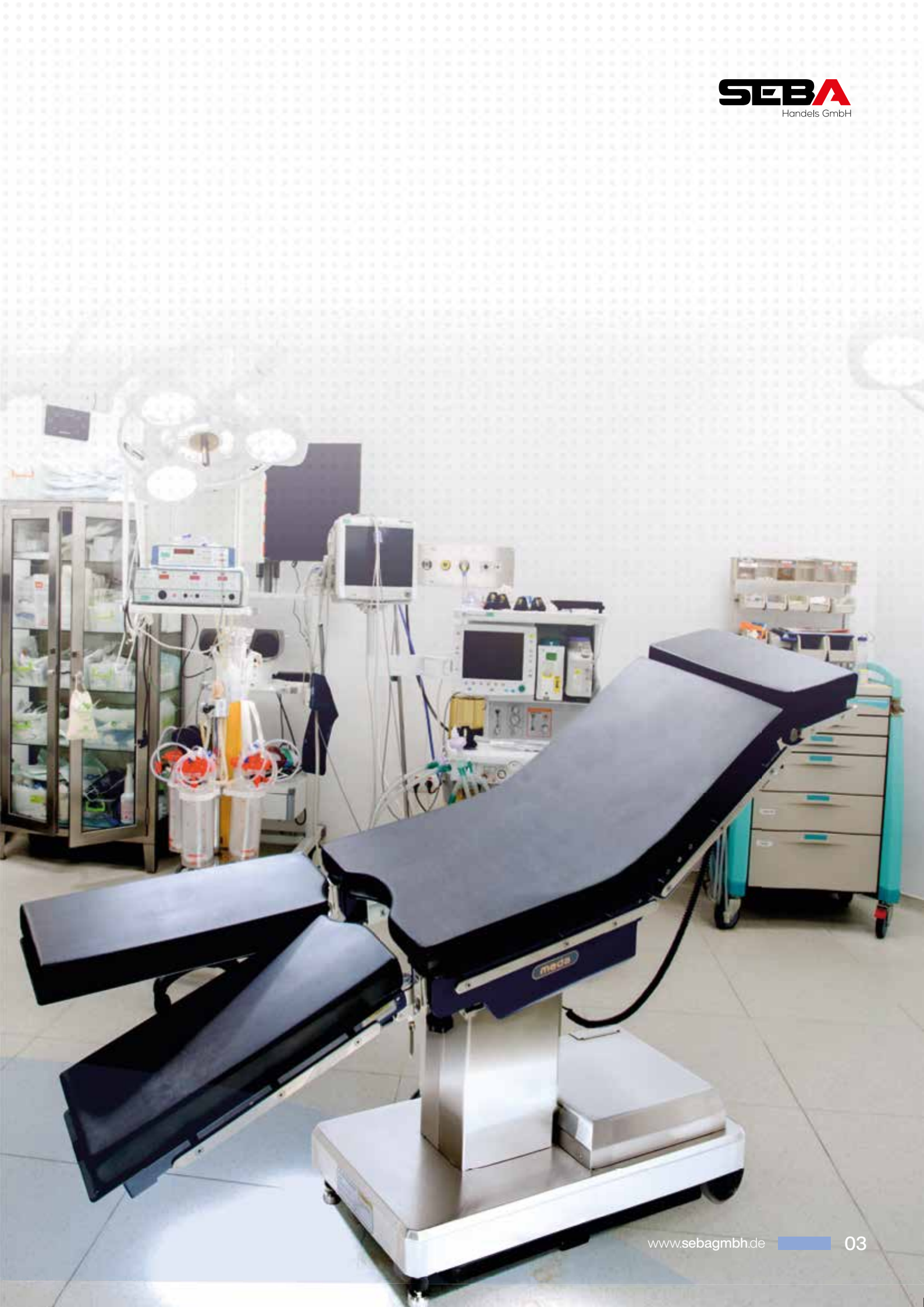
Sliding toward Foot-End



Extended Upper Body Coverage

Standard Upper and Lower Body Coverage

Extended Lower Body Coverage



# Operating Table Positions



**E.N.T. Surgery**



**Laparoscopy Surgery**



**Chest/Abdominal Surgery**

**Thoracic, Kidney, Gall Bladder**



**Rectal Surgery**



**Lithotomy Bladder Surgery**



# Operating Table Positions



**Urology/OB/Gynecology  
Procedures Surgery**



**Ophthalmological and  
Facial/Plastic Surgery**



**Knee Arthroscopy Surgery**



## Cardiovascular/Cardiothoracic



## Total Shoulder/Arthroscopy Surgery



## Orthopedic/Traumatological Surgery



## Accessories for Operating Table

105-612



Side Rail Clamp

105-614



Side Rail Lock

105-608



Anesthesia Screen Frame

105-622



Restraint Strap

105-618



Instrument Tray

105-304



Lateral Support

105-306



Shoulder Support

105-712



Prone Positioner

105-715



Rectal Positioning Support

105-550



Shoulder Surgery Attachment

105-106



Arm Board

105-204



Raised Arm Rest

# Accessories for Operating Table

105-206



Microscopic Operating Frame for Hand

105-626



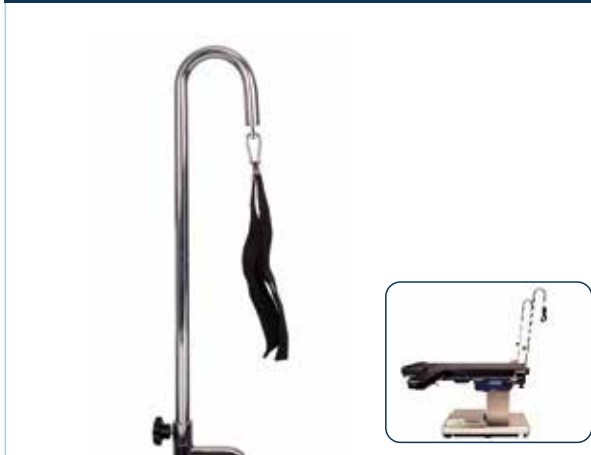
Head Rest With Wrist Support

105-404



Leg Crutch

105-406



Lithotomy Holder

105-408/410



Foot Rest - Right/Left

105-412



Knee Rest

105-414



Urology Drain Tray

105-214



Wristlet

105-504



X-Ray Top

105-108



IV Hanger

105-708



Neuro Adapter For Mayfield Head Rest

105-804



Orthopedic Traction Device

# Accessories for Operating Table

105-104



Antistatic Mattress Set

105-924



Corded Hand Control

105-930



Foot Control

105-650



Extention Plate

105-315



Donut Had Pad

105-320

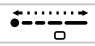

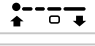
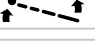



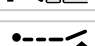
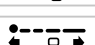



Cushion

## Universal-Mobile Operating Tables



# SPECIFICATIONS

Model	MEDA 300
 Table Length (w/ Extendable Head Rest)	2,000mm
 Table Width (w/o Side Rails)	500mm
 Tabletop Height (Up/Down, w/o Pad)	685~1,135mm
 Trendelenburg/Reverse Trendelenburg	30° / 30°
 Lateral Tilt (L/R)	20° / 20°
 Flex/Reflex	220° / 100°
 Head Rest (Up/Down)	60° / 90°
 Back Plate (Up/Down)	80° / 40°
 Leg Plates (Up/Down) (Horizontal Positioning)	15° / 90° , Horizontal 0° ~ 90°
 Tabletop Longitudinal Slide	350 mm

\*Specifications and functions are subjects to change without prior notice.

## MEDA 300 SERIES MODELS

- S** Longitudinal slide 350mm
- K** Building kidney bridge with 120mm elevation
- B** DC powered system to supply about 80-100 operations during a power failure

## ACCESSORIES

### Standart Accesories

105-104 Pad, 1 set, with non-electrical conductive fabrics for Meda 300 Series

105-106 Arm Board, 2 pieces, with integral quick disconnect side rail clamp design to facilitate installation and removal.

### Optional Accessories for Arm Support

105-204 Raised Arm Rest\*

105-206 Microscopic Operating Frame For Hand

105-208 Left Wrist-Side Griping Handle

105-210 Right Wrist-Side Griping Handle

105-212 Head, Shoulder & Arm Rest for Lateral Positioning

105-214 Wristlet

### Optional Accessories for Leg Body Support

105-304 Lateral Support\*\*

105-306 Shoulder Support\*\*

105-308 Pad-Adjustable Dorsal Operation Frame

105-310 Rectal Positioning Support

### Optional Accessories for Leg Supports and Urology

105-404 Leg Crutch \*

105-406 Lithotomy Holder \*

105-408 Right Foot Rest \*\*

105-410 Left Foot Rest \*\*

105-412 Knee Rest \*\*\*

105-414 Urology Drain Tray

105-420 Contamination Bucket

### Optional Accessories for General Accessories

105-604 Anti-static Pad for Meda 300 series

105-608 Anesthesia Screen Frame \*\*

105-610 Anesthesia Screen Frame (Adjustable) \*\*

105-612 Side Rail Clamp

105-614 Side Rail Lock

105-616 Accessory Cart

105-618 Instrument Tray \*

105-620 Patient Transfer Device

105-622 Restraint Strap

105-624 Hand Control Bracket

105-626 Head Rest with Wrist Support

105-628 Shoulder Surgery Attachment

### Optional Accessories for X-Ray

105-504 X-Ray Top for Meda 300 Series

105-506 Lateral Cassette Holder\*\*

### Optional Accessories for Neurology

105-704 General Purpose U-Type Rest

105-708 Neuro Adaptor, for Mayfield head Rest

### Orthopedic Traction Device

105-804 Removable Orthopedic Extension Device with Accessories and Cart for Meda 300 Series

### Optional Accessories for Table Control

105-924 Corded Hand Control for Meda 300 Series

105-928 Auxiliary Control for Meda 300 Series

105-930 Foot Control for Meda 300 Series

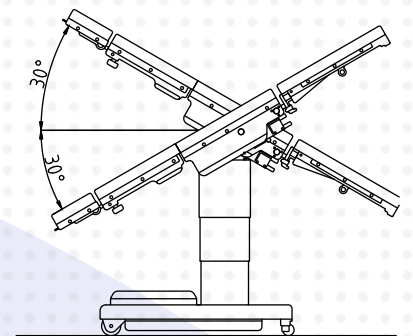
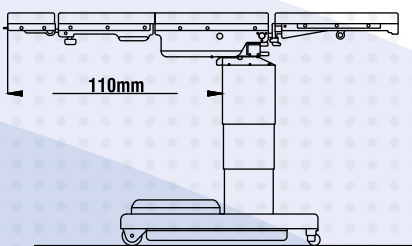
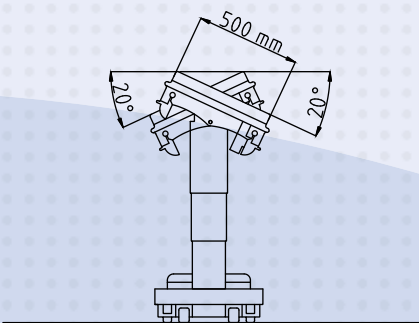
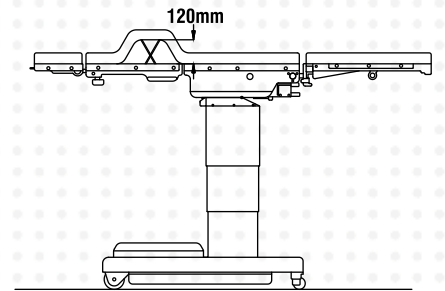
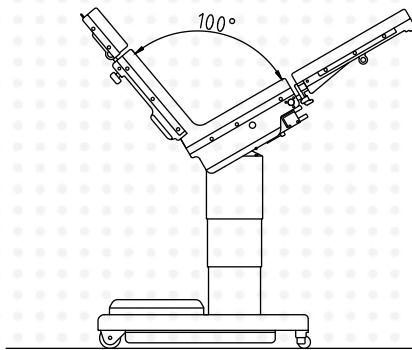
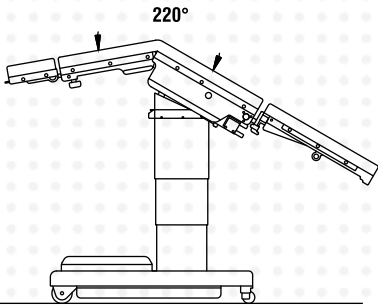
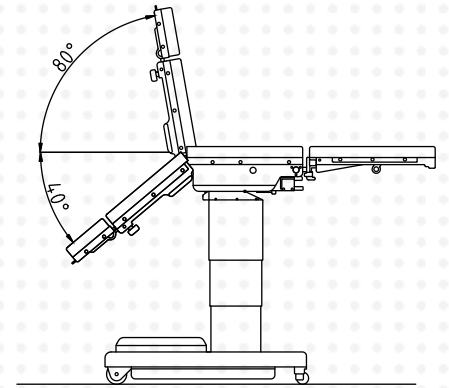
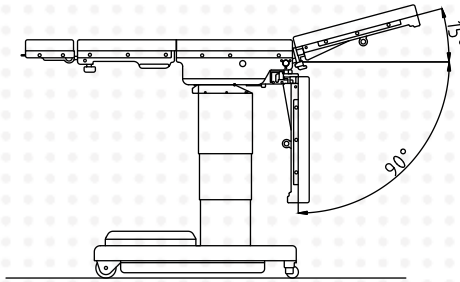
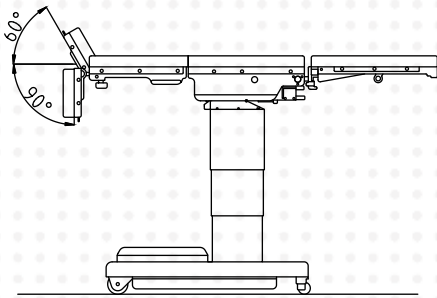
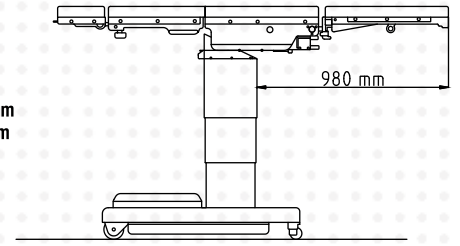
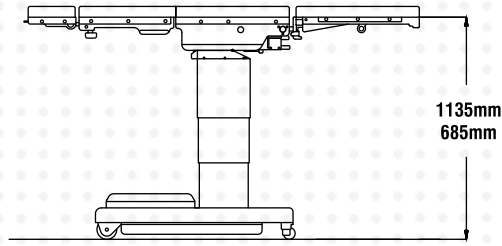
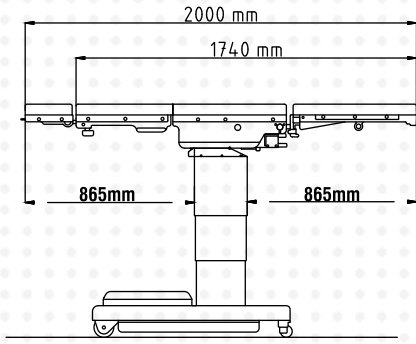
\*A side-rail clamp (Part NO:105-612) is required to fixate the accessories and they are sold separately.

\*\*A side-rail lock (Part NO:105-614) is required to fixate the accessories and they are sold separately.

\*\*\*Two side-rail lock (Part NO: 105-614) are required to fixate the accessories and they are sold separately.



# TECHNICAL INFORMATION









 Ziegeleiweg 6A, 51149 Köln-Germany

 +49 162 696 3172

 [info@sebagmbh.de](mailto:info@sebagmbh.de)

 [www.sebagmbh.de](http://www.sebagmbh.de)